

**This Is the Title of Your Paper about LCA
It Covers No More Than Two Lines (bold, 16 point centered)**

Joseph Firstauthor^{1,*} Mary Secondauthor² Timothy Thirdauthor³

Use as many lines as you need for your authors (Times New Roman, 12 point centered)

¹First Author's Affiliation (9 Point centered)

²Second Author's Affiliation (if different)

³Third Author's Affiliation (if different)

Abstract (left justified, Bold 12 point)

Please use this template in order to prepare your manuscript. The typeface is Times New Roman throughout. The title must be concise and informative. When indicating each author's name put first the name, and then the family name. Where the family name may not be well recognised, please indicate it clearly. Specify each author's affiliation, and the corresponding author as shown above. The abstract must not exceed 150 words. No figures appear in the abstract. You can indicate up to five keywords as shown below.

Keywords: Keyword 1, Keyword 2, Keyword 3, Keyword 4, Keyword 5 (left justified, 9 Point)

*Corresponding author: Joseph@company.com

Introduction (left justified, Bold 12 point)

This and subsequent sections are in Times New Roman, 12 point font, left-justified and in two columns. After this section, you may choose relevant headings for the sections, keeping to the same format.

The paper must not exceed 10 pages in length. Paragraphs are not indented.

Please do not add page numbers now. Please also avoid saving your files with such general names as: Paper.doc, Paper_Smith.doc, LCAXI.doc, and the like.

To help the review process, name your files: First Author's Family Name - Title of The paper.doc.

Please upload the paper in MS Word format (.doc or .docx) via the paper upload link for your abstract on your home page in the

account interface. Please do not lock or password protect your file.

Citing References

References should be expressed as (Last name, 2008) or (Last Name and Last Name, 1999), or (Last Name et al., 2008). If there is more than one publication in the same year from the same author, add a, b, c to the year.

Tables and Figures

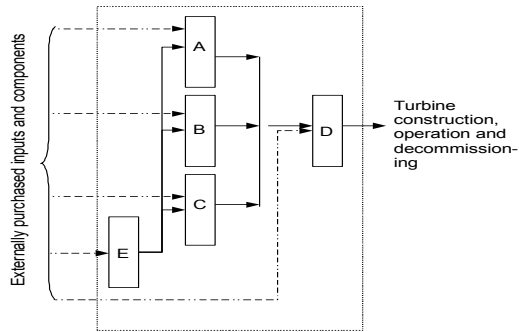
Tables and figures should be numbered by Arabic numerals, and placed immediately above the table or figure. If your table or figure is larger than one column wide, please place them at the top or the bottom of the page.

Figures and line drawings should be of a quality suitable for printing and will not be redrawn.

Table 1: Caption (Left Justified, Bold 10 point)

	Column Heading 1	Column Heading 2
Row Heading 1	Cell 1	Cell 2
Row heading 2	Cell 3	Cell 4

Figure 1: Caption (Left Justified, Bold 10 point)



References

References are to be formatted as in the following examples, in 10 point , left justified format.

Duchin F. (2005): Sustainable consumption of food. A framework for analyzing scenarios about changes in diet. *Journal of Industrial Ecology*, 9(1-2), pp. 99-114.

Hendrickson C.T., Lave L.B., Matthews H.S. (2006): *Environmental Life Cycle Assessment of Goods and Services. An Input-Output Approach*. Washington (DC), Resources For the Future.

Notarnicola B., Tassielli G., Nicoletti G. M., (2003): LCA of wine production. In B. Mattson, U. Sonesson (eds): *Environmentally-friendly food production*. Cambridge, Woodhead-Publishing, pp. 306-326.

Weidema B., Hermansen J., Eder P. (2008): Meat and milk products in Europe: Impacts and improvements. *Proceedings of the 6th International Conference on Life Cycle Assessment in the Agri-Food Sector*. Zurich, Switzerland, November 12-14 2008.

Equations

Equations should appear in their place in the text and numbered. Generate equations by using Microsoft Equation, which is embedded in MS Word.

Equation 1 (Left Justified, Bold 10 point)

$$(x + a)^n = \sum_{k=0}^n \binom{n}{k} x^k a^{n-k}$$

Equation 2 $A = \pi r^2$